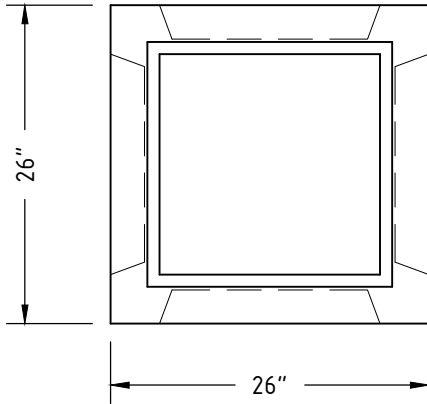
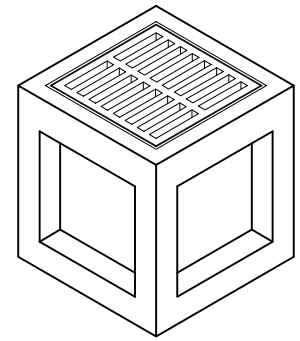
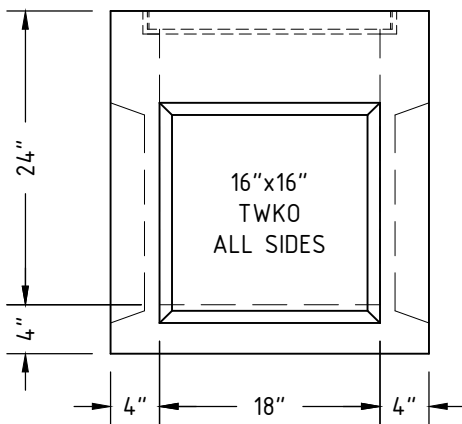
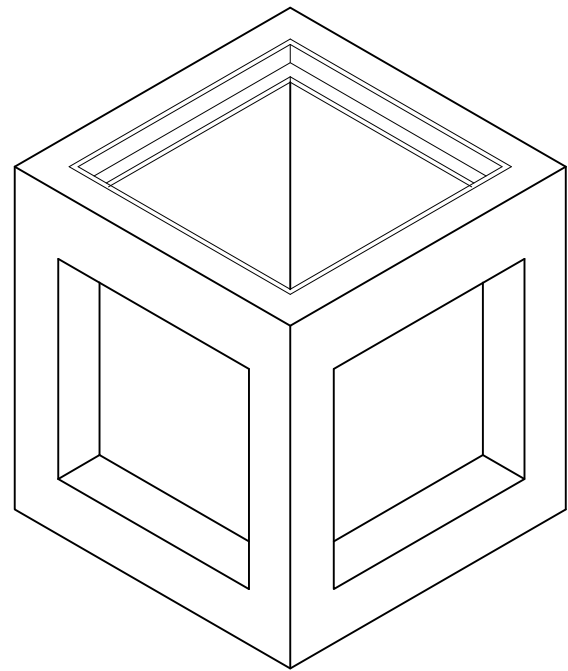
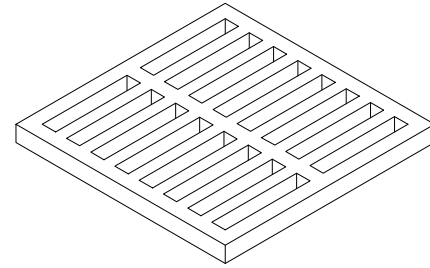


GRATE



PLAN VIEW



ELEVATION VIEW

MATERIALS & FEATURES

- CONCRETE: 4,000 PSI, 28 DAY STRENGTH
- EXCEEDS ASTM - C858
- GRATED INLET COMPONENTS & WEIGHTS:
  - 24" BASE - 975 lbs.
  - 12" RISER - 325 lbs.
  - 24" RISER - 750 lbs.

~ NOT TO SCALE ~

ALL DIMENSIONS SUBJECT TO ALLOWABLE SPECIFICATION TOLERANCES.

SECT.	DATE
-	04/07/15
DWG. BY:	MSM

TITLE
<b>18"x18" GRATED INLET</b>