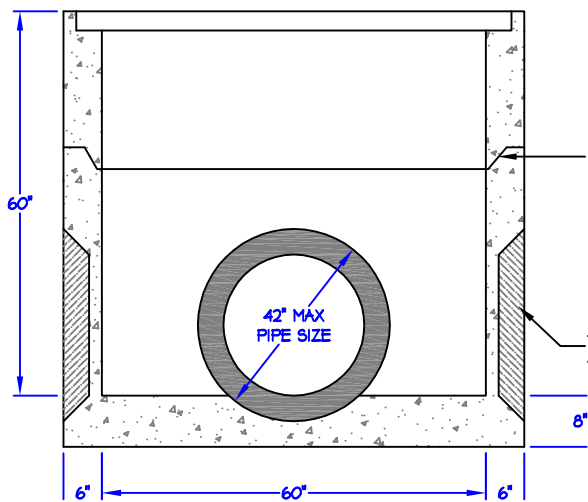
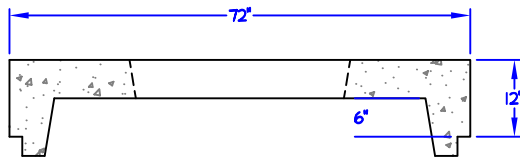
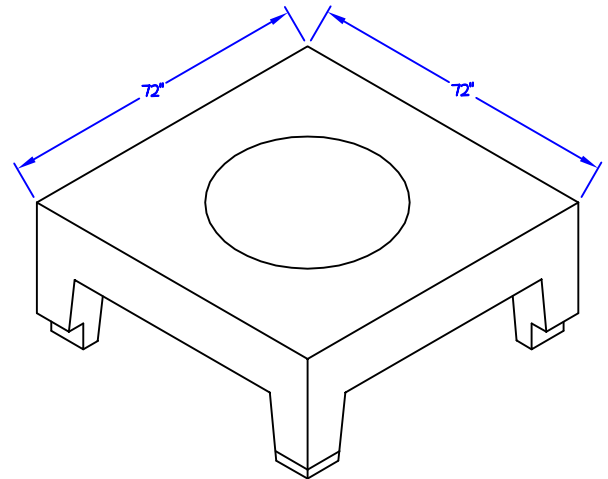
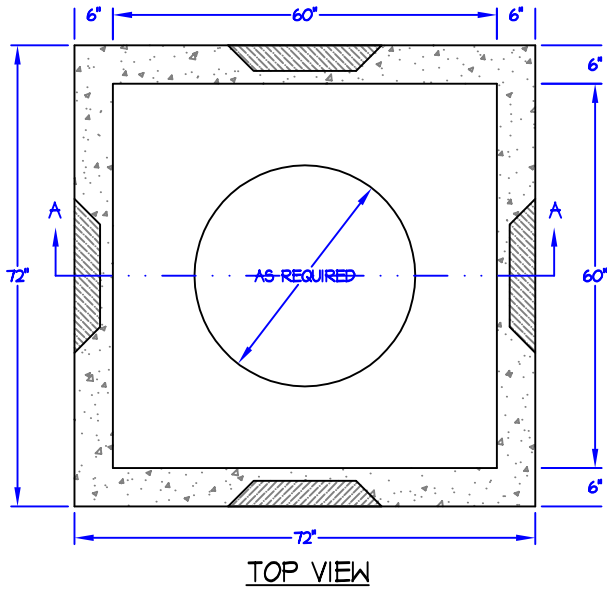


5' x 5' AREA INLET

NOT TO SCALE: ALL DIMENSIONS ARE SUBJECT TO ALLOWABLE SPECIFICATION TOLERANCES

MATERIALS & FEATURES
 CONCRETE: 5,000 PSI, 28 DAY STRENGTH.
 REINFORCING: #4 BAR, GRADE 60, 8" O.C.E.W.
 #4 BAR DIAGONAL AROUND KNOCK-OUTS
 3" x 8" x W3 x W2.5 WELDED WIRE MESH
 IN WALLS AND BOTTOM
 STOCK DEPTH: 60 INCHES
 TOP SLAB LOAD RATING = H-20.
 EXCEEDS ASTM C858



TONGUE & GROOVE JOINTS FOR EXCESSIVE DEPTH INLETS CAST IN MULTIPLE SECTIONS

THIN-WALLED KNOCKOUTS TYPICAL 4 SIDES

SECTION AA



Capital Concrete Products

5264 Hwy. 71 East • Del Valle, Texas 78617

TITLE:	5x5' AREA INLET
FILE NAME:	INLETS/AREA INLETS/60x60 AREA INLET.DWG
DRAWN BY:	SUSAN MENTA
DATE:	SEPTEMBER 11, 2009