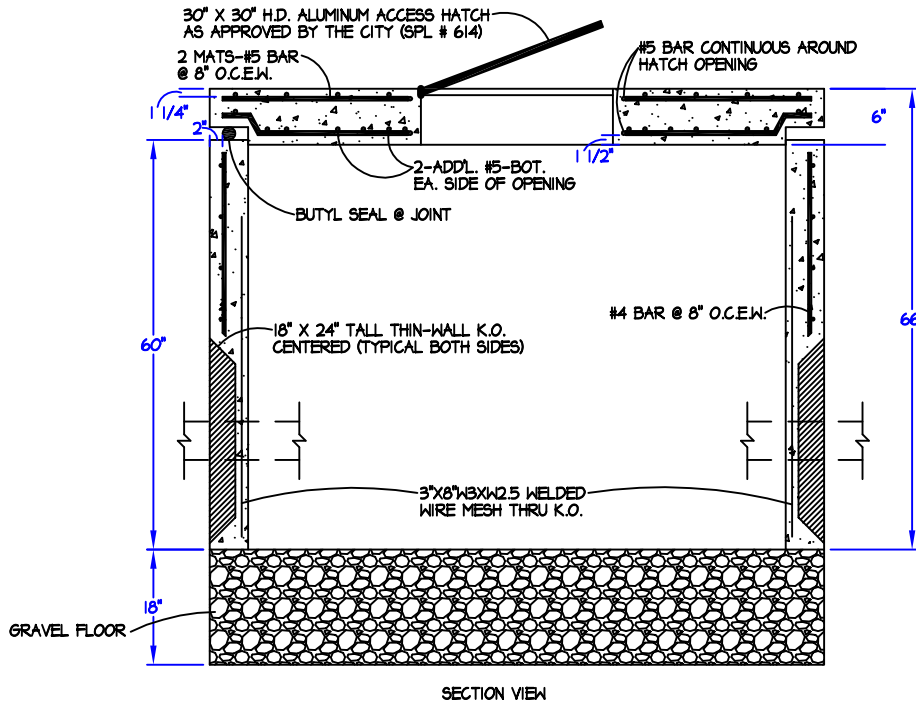
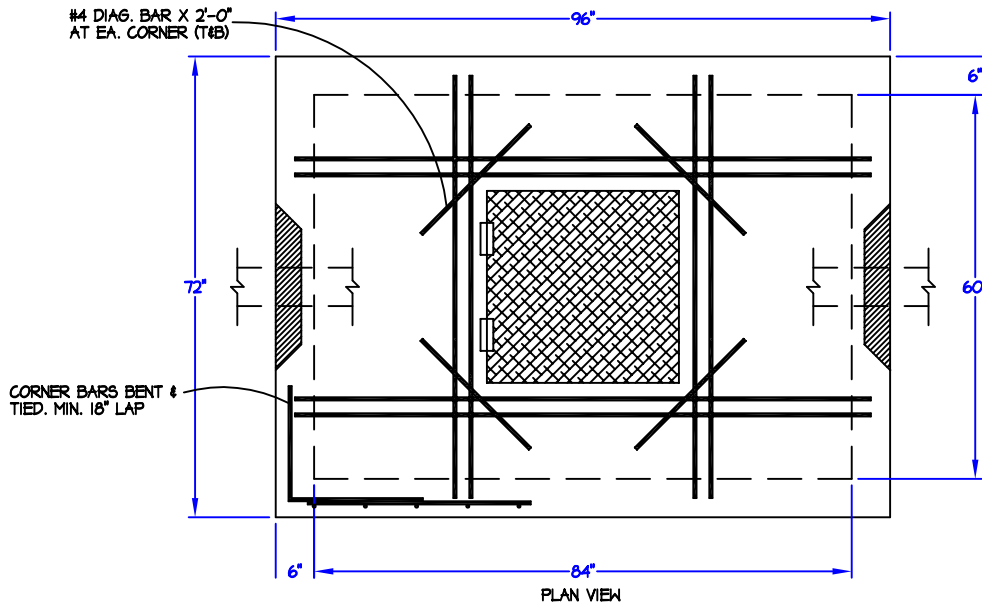


7' X 5' METER VAULT

NOT TO SCALE: ALL DIMENSIONS ARE SUBJECT TO ALLOWABLE SPECIFICATION TOLERANCES

MATERIALS & FEATURES
 CONCRETE: 5,000 PSI, 28 DAY STRENGTH.
 REINFORCING: #4 BAR, 8" O.C.E.W. IN WALLS
 TWO MATS #5 BAR, 8" O.C.E.W. IN TOP
 #5 BAR CONTINUOUS AROUND OPENING IN TOP
 DOOR IN TOP: 30" X 30" HEAVY DUTY ALUMINUM ACCESS HATCH AS APPROVED BY THE CITY OF AUSTIN (SPL#614)
 TYPICAL APPLICATIONS: CITY OF AUSTIN COMPOUND METER ASSEMBLY - 3", 4" & 6" (SPL#298)
 TOP SLAB LOAD RATING = H-20.
 EXCEEDS ASTM C858



Capital Concrete Products

5264 Hwy. 71 East • Del Valle, Texas 78617

TITLE:	7' X 5' METER VAULT
FILE NAME:	METER VAULT/7 X 5.DWG
DRAWN BY:	SUSAN MENTA
DATE:	AUGUST 20, 2009