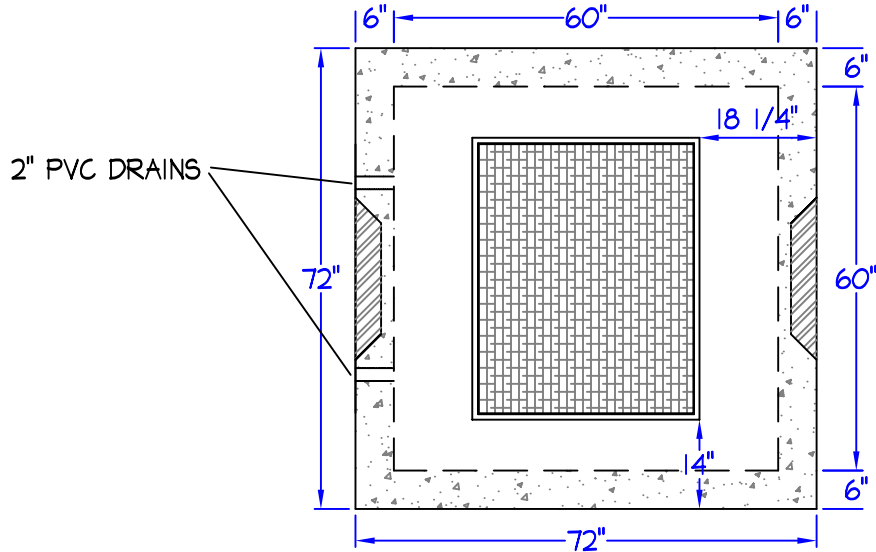


5' X 5' METER VAULT

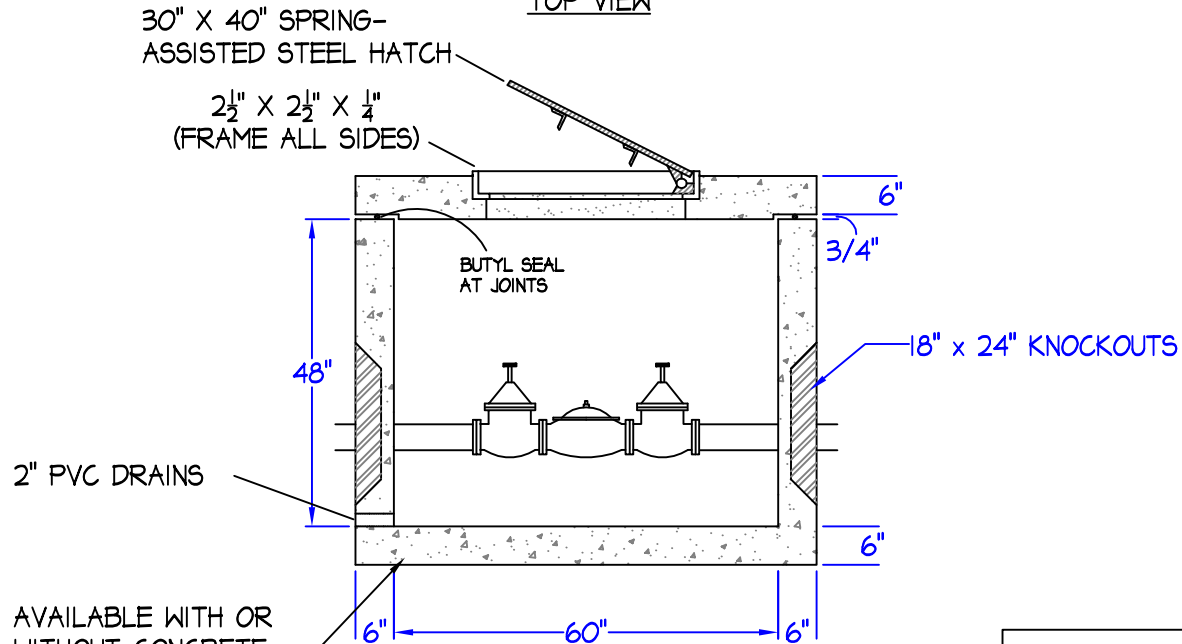
NOT TO SCALE: ALL DIMENSIONS ARE SUBJECT TO ALLOWABLE SPECIFICATION TOLERANCES

MATERIALS & FEATURES

CONCRETE: 5,000 PSI, 28 DAY STRENGTH.
 REINFORCING: #4 BAR, GRADE 60, 8" O.C.E.W.
 #4 BAR DIAGONAL AROUND KNOCK-OUTS
 2 MATS #4 BAR 8" O.C.E.W. IN LID W/
 DIAGONAL AROUND HOLE
 STOCK DEPTH: 60"
 TOP SLAB LOAD RATING = H-20.
 EXCEEDS ASTM C858



TOP VIEW



SIDE VIEW



Capital Concrete Products

5264 Hwy. 71 East • Del Valle, Texas 78617

TITLE:	5' X 5' METER VAULT
FILE NAME:	METER VAULT/5 X 5.DWG
DRAWN BY:	SUSAN MENTA
DATE:	AUGUST 20, 2009