

10' X 15' METER VAULT

NOT TO SCALE: ALL DIMENSIONS ARE SUBJECT TO ALLOWABLE SPECIFICATION TOLERANCES

MATERIALS & FEATURES

CONCRETE: 5,000 PSI, 28 DAY STRENGTH.

REINFORCING: #4 BAR, 8" O.C.E.W. IN WALLS

TWO MATS #5 BAR, 8" O.C.E.W. IN TOP

#5 BAR CONTINUOUS AROUND OPENING

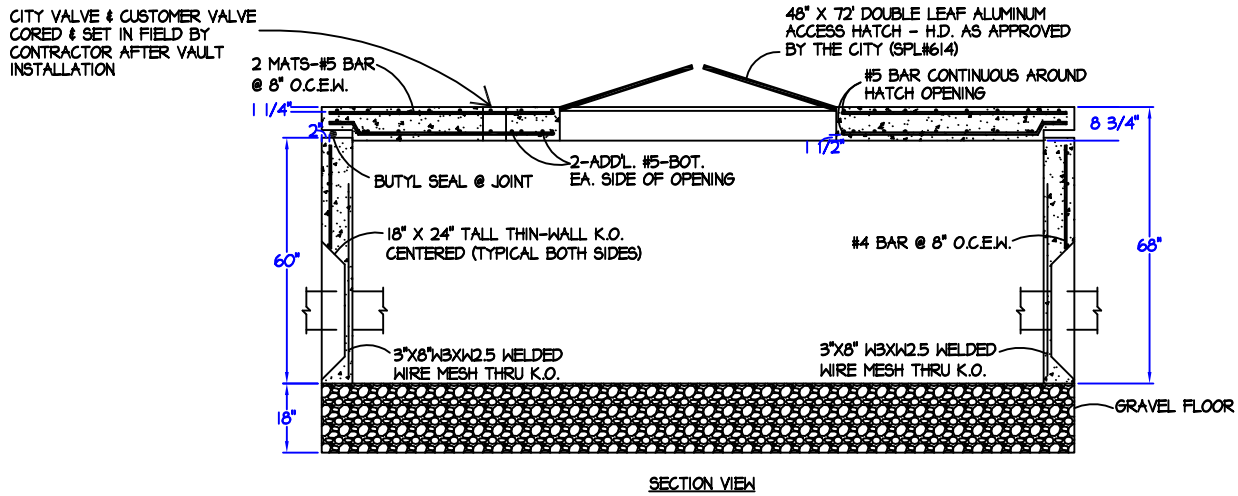
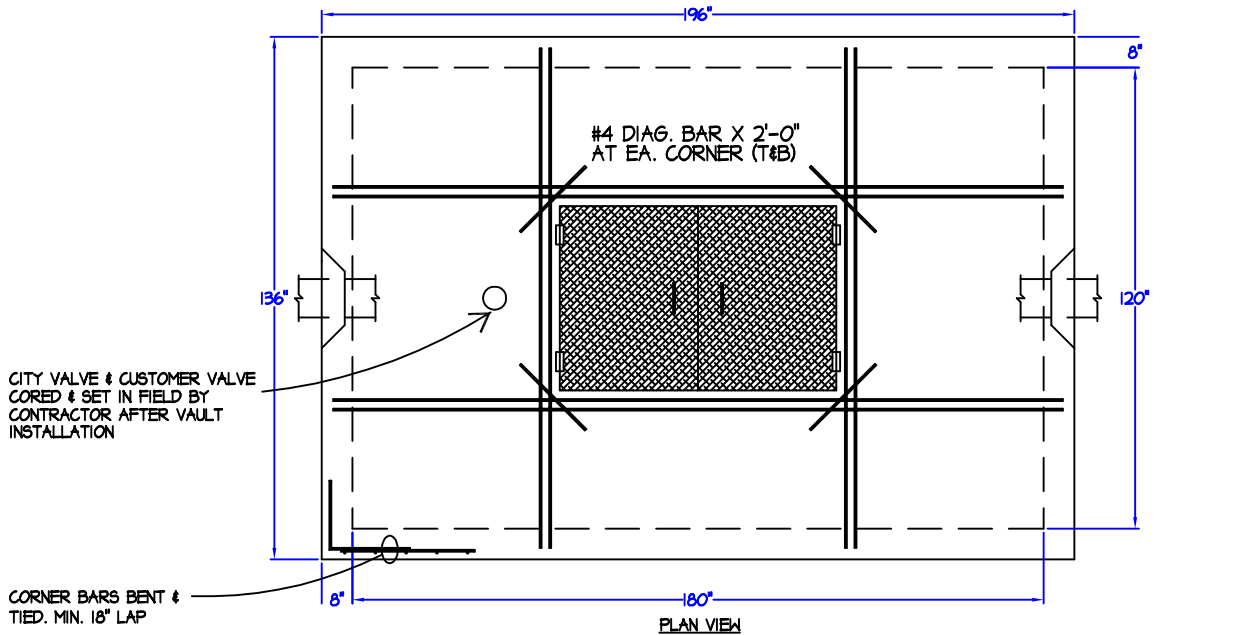
IN TOP

DOOR IN TOP: 48" X 72" ALUMINUM ACCESS HATCH

TYPICAL APPLICATIONS: CITY OF AUSTIN 10" FIRE LINE METER (SPL#298)

TOP SLAB LOAD RATING = H-20.

EXCEEDS ASTM C858



Capital Concrete Products

5264 Hwy. 71 East • Del Valle, Texas 78617

TITLE:	10' X 15' METER VAULT
FILE NAME:	METER VAULT/10 X 15.DWG
DRAWN BY:	SUSAN MENTA
DATE:	AUGUST 26, 2009