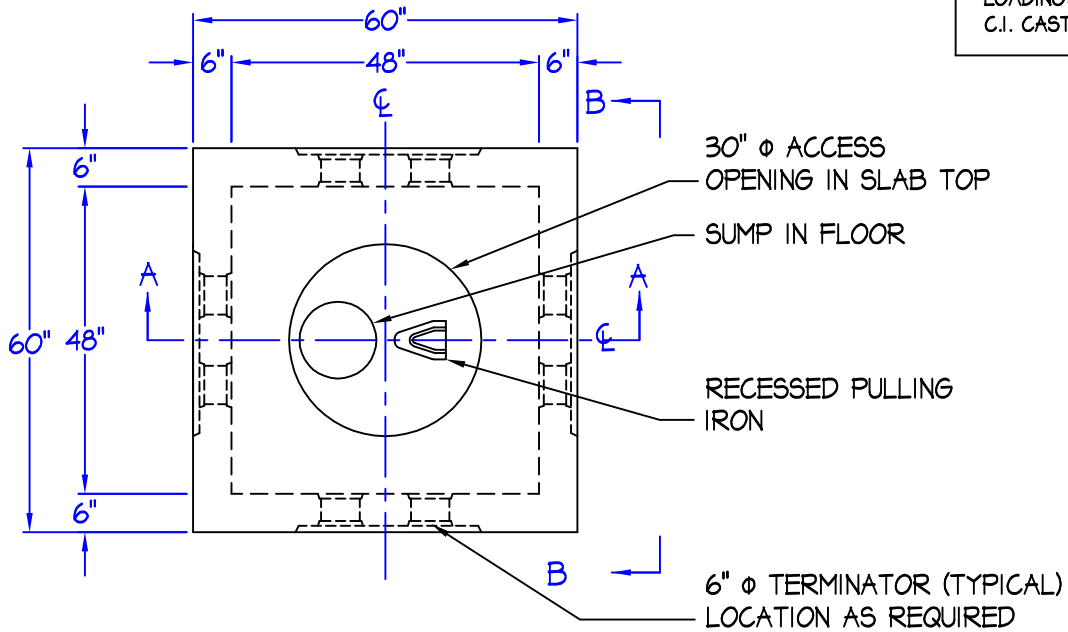


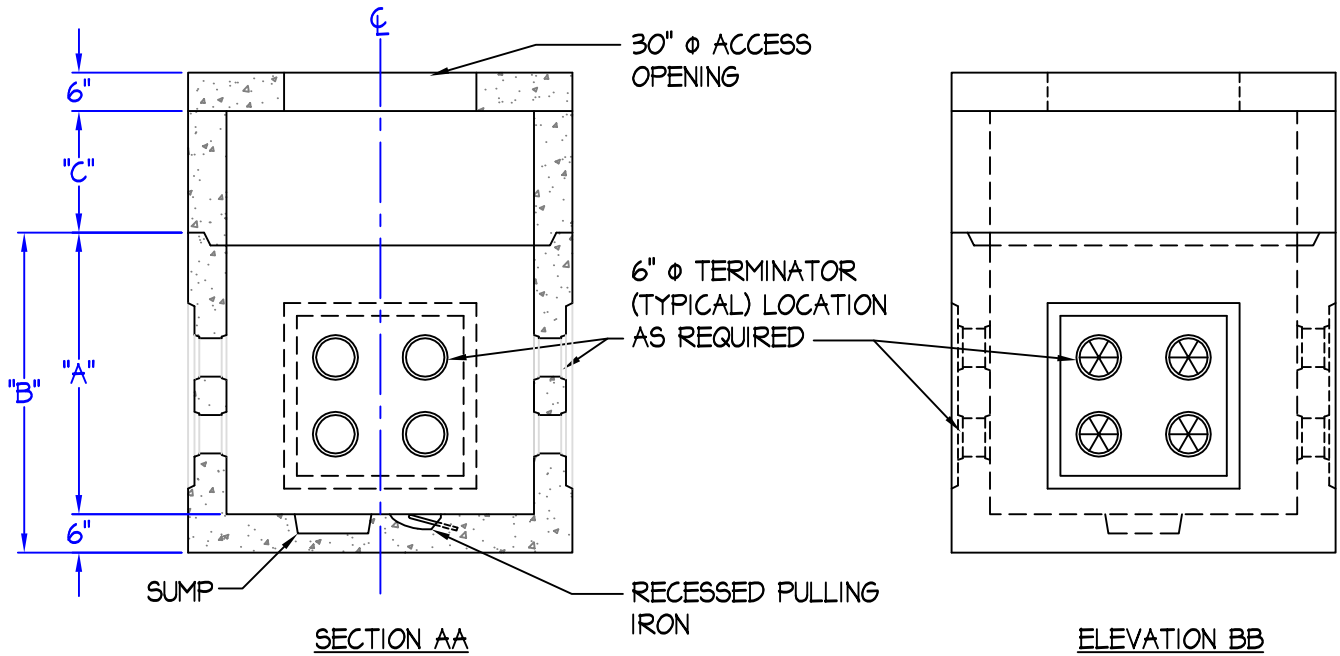
4' X 4' I.D. ELECTRICAL MANHOLE

NOT TO SCALE: ALL DIMENSIONS ARE SUBJECT TO ALLOWABLE SPECIFICATION TOLERANCES

MATERIALS & FEATURES
 CONCRETE: 5,000 PSI, 28 DAY STRENGTH.
 REINFORCING: ASTM A-615, GRADE 60
 LOADING: DESIGNED FOR H2O LOADING
 C.I. CASTINGS: ASTM A48, CLASS 30/35



PLAN VIEW



Capital Concrete Products

5264 Hwy. 71 East • Del Valle, Texas 78617

TITLE:	4' X 4' ID ELECTRICAL MANHOLE
FILE LOC.:	ELECTRIC MANHOLE/ 4X4 ID ELECTRIC MANHOLE
DRAWN BY:	SUSAN MENTA
DATE:	OCTOBER 14, 2009