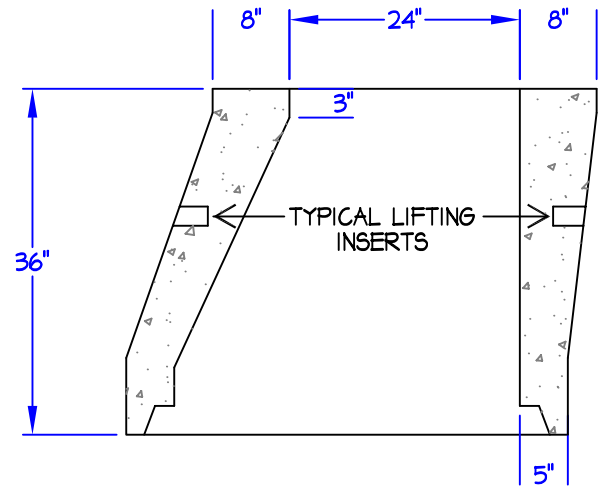
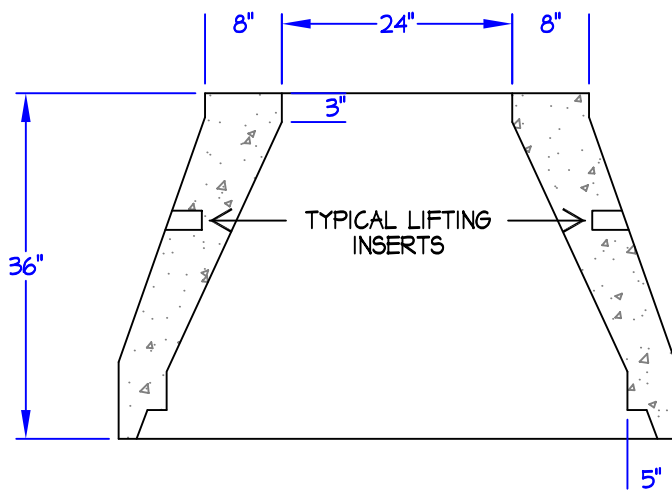
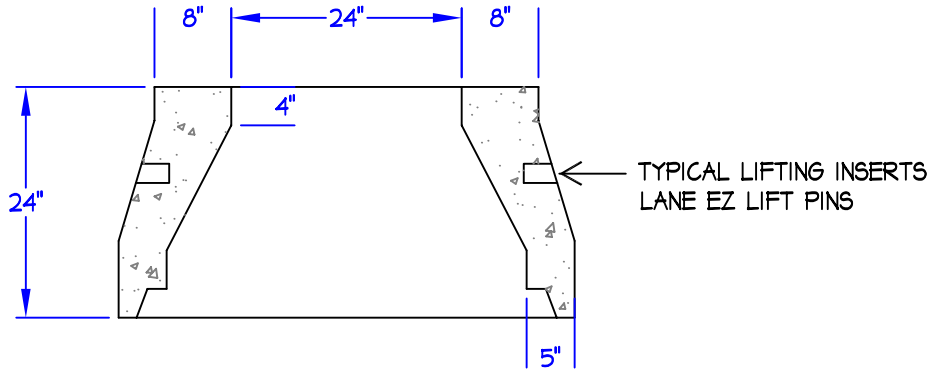


# 24" CONE DETAILS - SAN ANTONIO

NOT TO SCALE: ALL DIMENSIONS ARE SUBJECT TO ALLOWABLE SPECIFICATION TOLERANCES

**MATERIALS & FEATURES**

CONCRETE: 4,000 PSI, 28 DAY STRENGTH.  
EXCEEDS ASTM C-478-03A



**Capital Concrete Products**

5264 Hwy. 71 East • Del Valle, Texas 78617

TITLE:	24" CONE DETAILS - SAN ANTONIO
FILE LOC.:	MANHOLES/ OTHER MANHOLES
DRAWN BY:	SUSAN MENTA
DATE:	OCTOBER 12, 2009