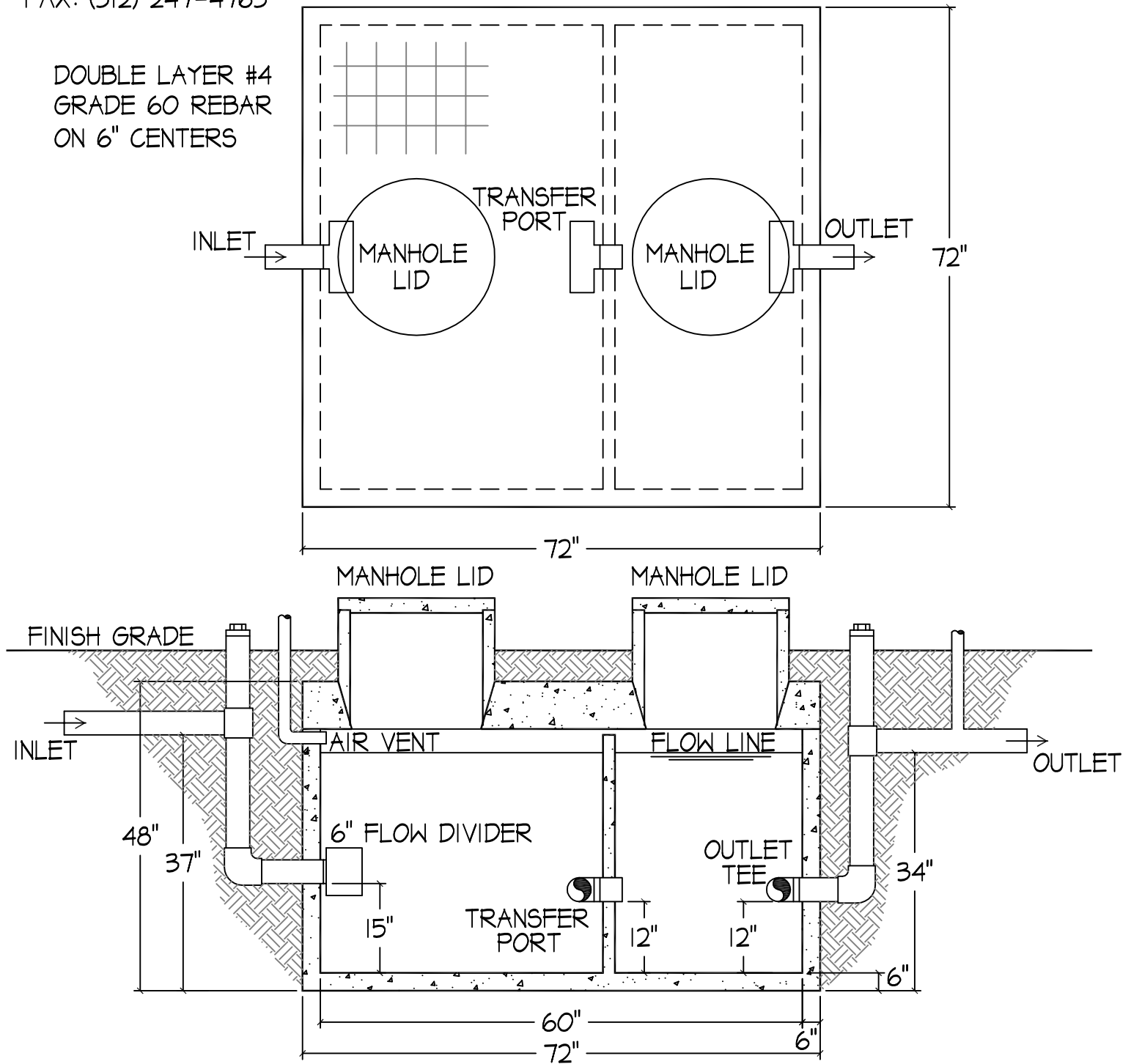


CAPITAL CONCTETE PRODUCTS, INC.

5264 HIGHWAY 71 EAST
DEL VALLE, TEXAS 78739
OFFICE: (512) 247-4193
FAX: (512) 247-4763



500 GALLON GREASE TRAP

INLET AND OUTLET FITTINGS
ARE 4"Ø SCHEDULE 40 PVC.
TANK HEIGHT IS 48". PLEASE ALLOW
FOR MANHOLE RING AND COVER.
TANK VOLUME IS 60% / 40% SPLIT.

Materials & Features:
Reinforcing: Per ASTM A-615 or A-185
Top Slab Load Rating: H-20
Concrete: 5000 PSI-28 Day
Max Depth: 12" Below Finish Grade